

ATTACHE DE SUSPENSION - AS
AS - FAST FIX HANGER

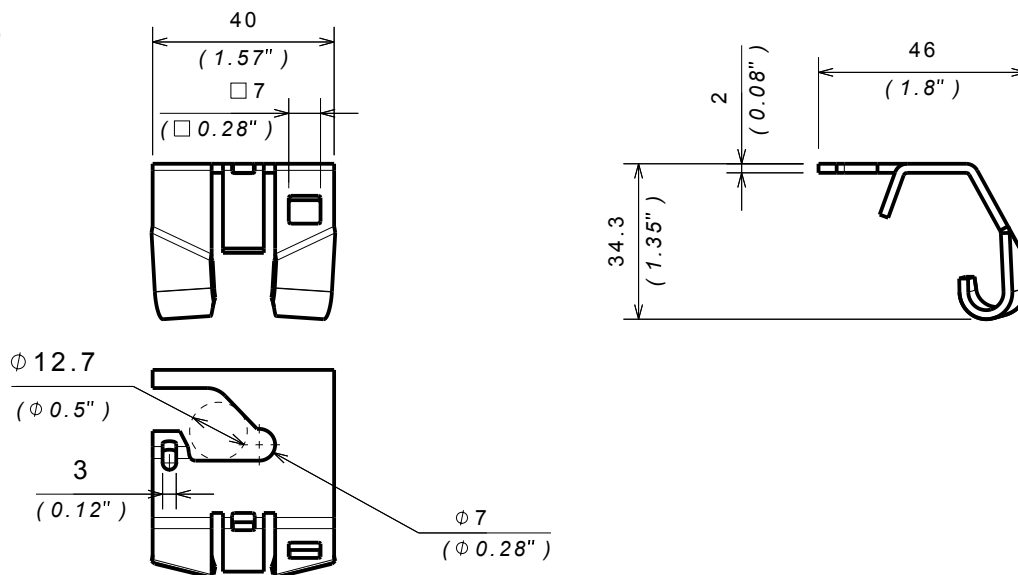
Reference(s) : 350 581 / 82 / 83



1. GAMME / RANGE

Designation	Code	Epaisseur / Thickness (mm) (inch)		Poids / Weight (Kg) (lb)		Matière / Material	Norme / Standard	Finition / Coating	Classe de résistance contre la corrosion / Resistance class against corrosion
		2	0.079	0.037	0.082				
AS GS	350 581	2	0.079	0.037	0.082	S220GD Z200	EN 10 346	GS / PG	Class 3 / IEC 61537
AS ZnNi	350 582					S235 JR	EN 10 025	ZnNi	Class 8 / IEC 61537
AS SS316L	350 583			0.038	0.084	X2 Cr Ni Mo 17-12-2	EN 10 088-2	IN316L / SS316L	Class 9D / IEC 61537

2. DIMENSIONS (mm/inch)



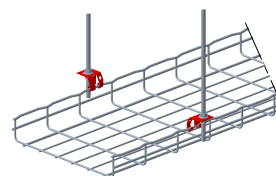
2. INSTALLATION



CF30 → CF54
 ZF31 25 → 100



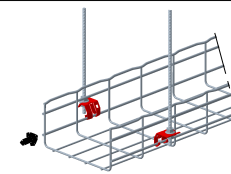
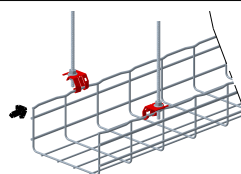
50 → 600mm



CF105



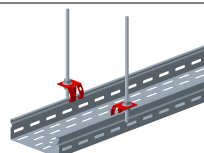
50 → 600mm



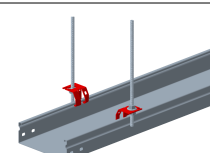
P31 TP 25 → 100
 P31 TB 25 → 100



50 → 300mm



P31 TP

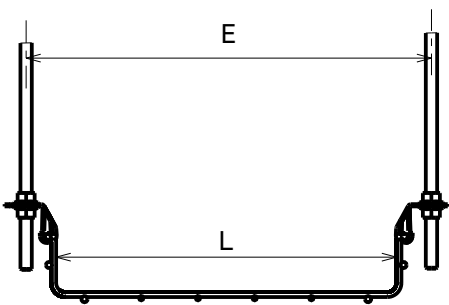
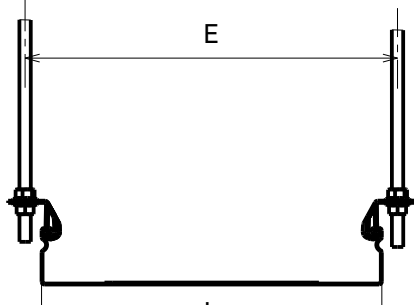
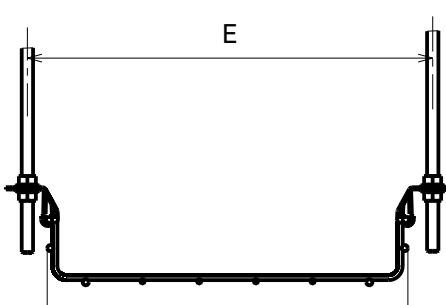


P31 TB

ATTACHE DE SUSPENSION - AS
AS - FAST FIX HANGER

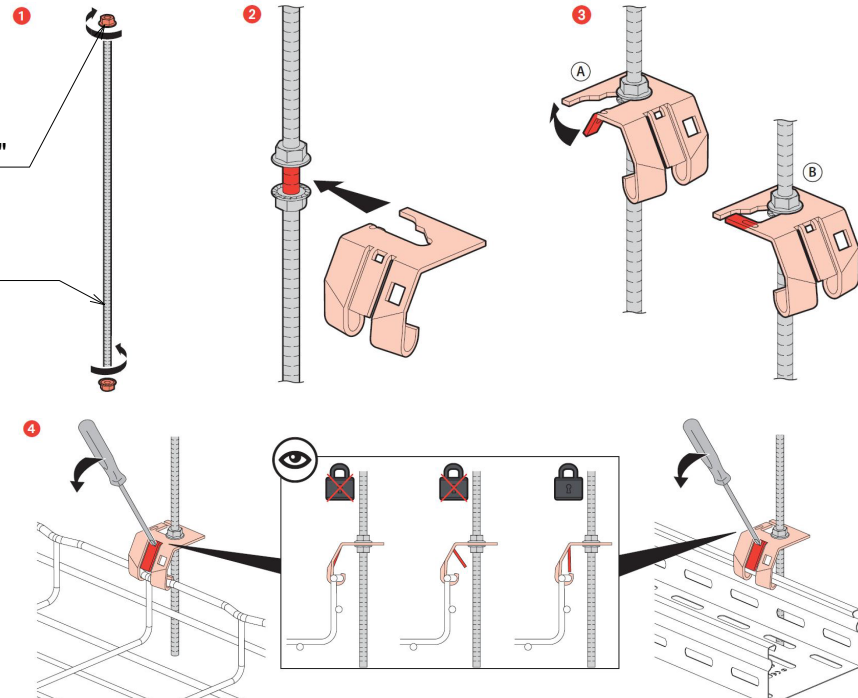
Reference(s) : 350 581 / 82 / 83

2. INSTALLATION - Distance de perçage / Drilling spacing

CF	P31	ZF31
		
$E = L + 60\text{mm}$ $E = L + 2.36''$	$E = L + 30\text{mm}$ $E = L + 1.18''$	$E = L + 45\text{mm}$ $E = L + 1.77''$

EEC M6/M8/M10/M12
 1/4" / 5/16" / 3/8" / 1/2"

TF M6/M8/M10/M12
 1/4" / 5/16" / 3/8" / 1/2"



1 Insert the hanger into the cable.

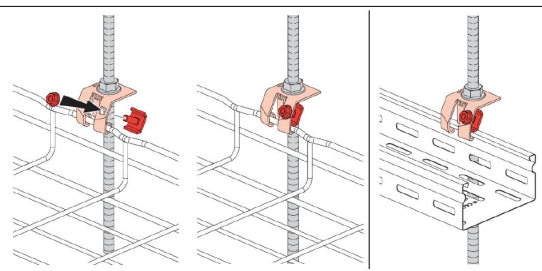
2 Push the hanger into the cable until it is fully seated.

3 Tighten the hanger with a screwdriver. Labels A and B indicate the correct tightening direction.

4 Tighten the hanger to the metal rail. An inset shows three different locking configurations: with a lock, with a lock and a key, and with a lock and a key and a lock.

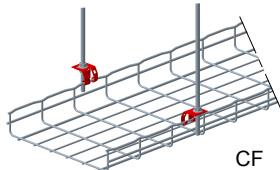
Kit components:

- KITFIXVS**: Hanger + Lock
- KITFIXTR**: Hanger + Lock + Key
- CE25 BTRCC M6 x20 / 30 EZ BN 1/4**: Lock + Key + Lock

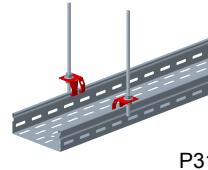


3. CHARGE PRATIQUE DE SECURITE (CPS) / SAFE WORKING LOAD (SWL)

100 daN



CF



P31